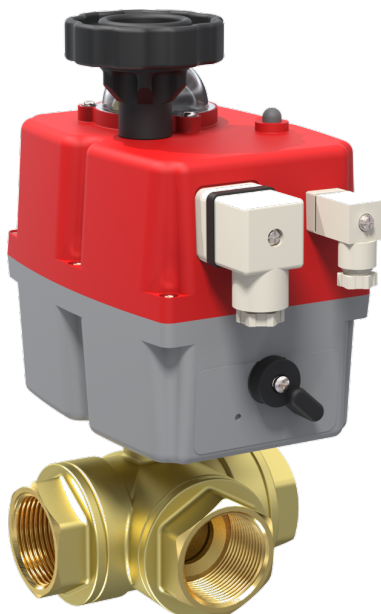


3-way-ball valve in brass electrical actuator type EK08



description:

3-way-ball valve with female thread BSP made of brass with electrical actuator and full bore. Brass ball and PTFE seal to shut off pipeline systems automatical.

features:

- Full bore / L- or T-bore
- Anti blow-out stem
- ETL electronic torque limiting
- AVS automatic voltage sensing
- ATC automatic temperature control
- emergency operating
- visual position indicator

connection:

1/4", 3/8", 1/2", 3/4", 1", 1 1/4", 1 1/2", 2", Zoll

construction:

full bore

pressure:

0 – 30 bar

design:

body with full T- or L-bore

body:

brass nickel plated CW617N

ball:

brass chrome plated CW614N

seal:

PTFE

temperature:

generally -20°C to +150°C (depending on working pressure)
(more than +70°C coupler + bracket must be used)

media

liquid and gaseous media

body actuator:

corrosion resistant synthetic body

plug connection:

external acc. to DIN 43650

temperature:

generally -20°C to +70°C

mounting pad:

acc. to ISO 5211

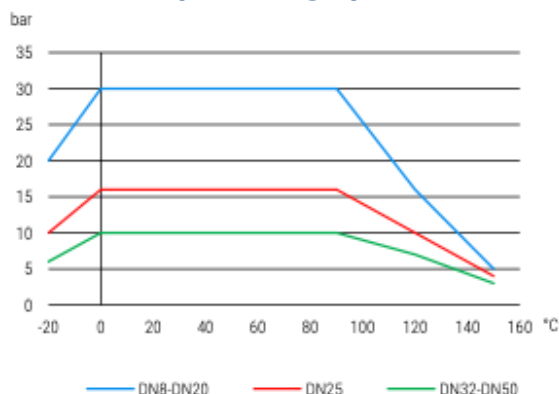
power supply:

Actuator S 24-240V AC/DC

mounting position:

free, not upside down

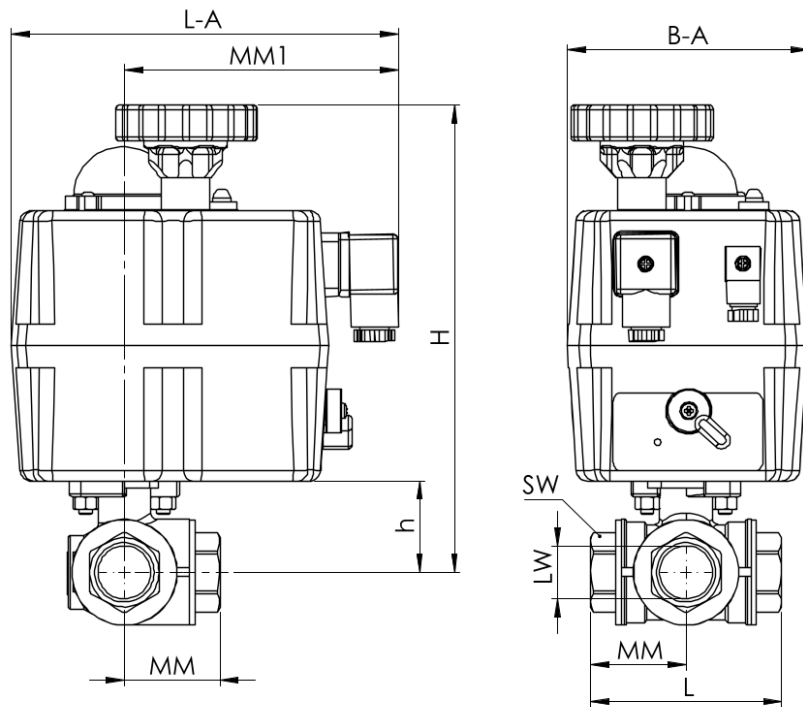
Pressure-temperature-graph ball-valve:



weight and actuator:

DN	weight kg	actuator
1/4"	2,40	S20
3/8"	2,40	S20
1/2"	2,50	S20
3/4"	3,00	S20
1"	3,80	S35
1 1/4"	4,90	S35
1 1/2"	7,40	S55
2"	12,00	S85

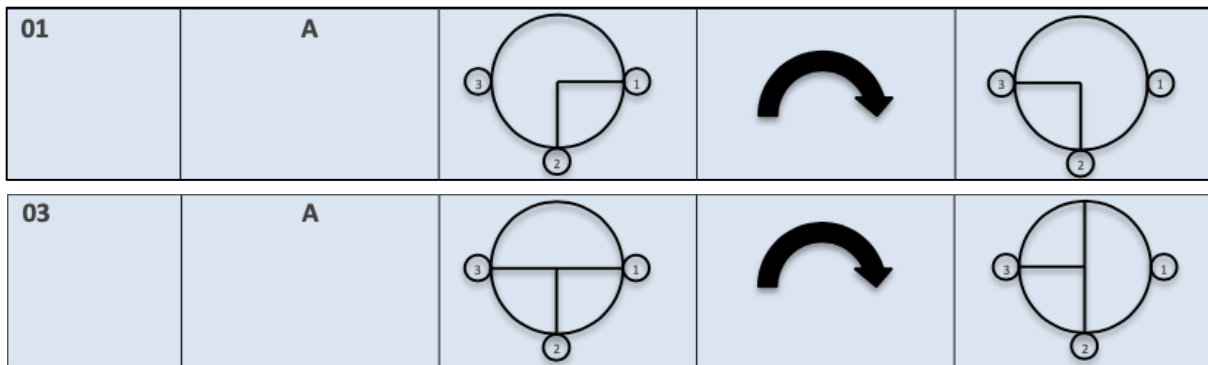
dimensions:



DN	PN	DIN EN 10226-1	LW	SW	MM	L	h	H	MM1	B-A	L-A	Actuator
8	30	Rp1/4"	11	22	33,5	67	30,5	201,5	125	110	176	S20
10	30	Rp3/8"	11	22	33,5	67	30,5	201,5	125	110	176	S20
15	30	Rp1/2"	14	27	38,5	77	32,5	203,5	125	110	176	S20
20	30	Rp3/4"	19	32	43,5	87	41,5	212,5	125	110	176	S20
25	16	Rp1"	24,2	41	52,5	105	47	218	125	110	176	S35
32	10	Rp1 1/4"	30	50	61,25	122,5	59,5	230,5	125	110	176	S35
40	10	Rp1 1/2"	38	55	69,25	138,5	74	270	125	110	176	S55
50	10	Rp2"	49,5	70	83	166	85	281	125	110	176	S85

position:

Actuators will be mounted in status „open“ and will turn „right“. Position of the ball bore is position 1A, when L-bore and 3A, when T-Bore:



For other positions or rotations please contact us.

article number:

type	design	voltage	size
EK08	00 – T-bore 01 – L-bore	00 – electrical 24-240V	01 – 1/4" 02 – 3/8" 03 – 1/2" 04 – 3/4" 05 – 1" 06 – 1 1/4" 07 – 1 1/2" 08 – 2"

Example no. EK08000005:

EK08 | 00 | 00 | 05

3-way ball valve made of brass with electrical actuator
 design: T-bore
 voltage: electrical 24-240V
 Size: 1"inch

Image similar, subject change without notice.