

Wafer-ball valve electrical actuator type EK06



description:

Wafer ball valve made of steel with electrical actuator to shut off pipeline systems. Ball made of stainless steel.

features:

- suitable for neutral and not neutral **gaseous & liquid media**
- ETL electronic torque limiting
- AVS automatic voltage sensing
- ATC automatic temperature control
- emergency operating
- visual position indicator

connection:
DN15 – DN100

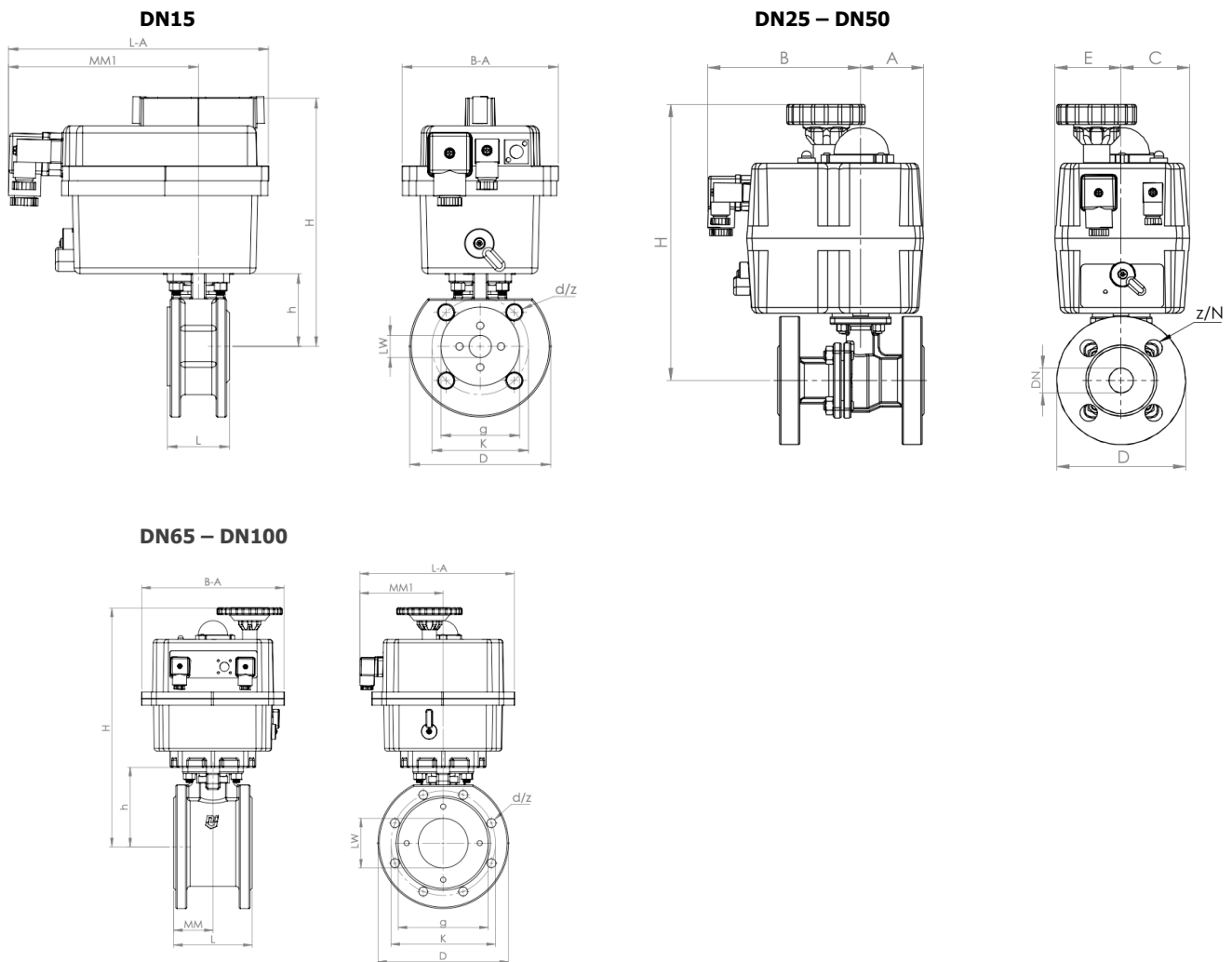
construction:
Full port design

pressure:
0 – 16 bar

design: ball valve with electrical actuator
body: carbon steel 1.0619
ball: stainless steel 1.4308
ball seal: PTFE / TFM
packing: PTFE
nominal diameter: short
temperature: generally -20°C to +180°C (depending on working pressure)
 more than +70°C coupler + bracket must be used

body actuator: corrosion resistant synthetic body
plug connection: external acc. to DIN 43650
temperature: generally -20°C to +70°C
mounting pad: acc. to ISO 5211
power supply: **Actuator L** 24V AC/DC – Low Version
Actuator H 110-240V AC/DC – High Version
Actuator S 24-240V AC/DC
mounting position: free, not upside down

drawing:



dimensions:

DN	PN	L	h	LW	g	K	D	d	z	B-A	MM1	L-A	H	Flange	actuator	weight
														ISO 5211	actuator*	
15	16	42	49	15	45	65	95	14	4	105	122	175	168	F04	L/H 10	2,15
20	16	44	53,5	20	58	75	105	14	4	105	122	175	172,5	F04	L/H 10	2,55
25	16	50	62	25	68	85	115	14	4	110	126	176	233	F05	S 20	3,80
32	16	60	72	32	78	100	140	18	4	110	126	176	243	F05	S 20	5,70
40	16	65	78	38	88	110	150	18	4	110	126	176	249	F07	S 35	6,50
50	16	80	86	50	102	125	165	18	4	110	126	176	282	F07	S 55	9,30
65	16	110	108	63,5	110	145	185	18	4	110	126	176	304	F10	S 85	13,20
80	16	120	116	76	138	160	200	18	8	218	128	236	360	F10	S 140	19,80
100	16	150	139	95	158	180	220	18	8	218	128	236	383	F10	S 300	27,90

*actuator size for greasing mediums, (for non-greasing mediums on request)

Please note:

Actuator must be bigger, if used with non-greasing media (e. g. water). Please contact us for a configuration.

actuator	ISO Flange	octagon mm	Protection class	Operating factor	power supply				Working torque	Starting torque	time for of cycle 90° without strain
					24V AC	24V DC	110V AC/DC	240V AC/DC			
L/H10	F03/F05	14	IP65	75%	0,4A L 9,4W	0,4A L 9,4W	0,3A H 30W	0,3A H 60W	10 Nm	12 Nm	L10 = 19 sec. (+/- 10%)
											H10 = 16 sec. (+/- 10%)
S20	F03/F04 /F05	9/11/14	IP67	75%	1,3A 30,7W	1,0A 23,4W	0,3A 32,7W	0,2A 46,0W	20 Nm	25 Nm	9 sec. (+/- 10%)
S35	F03/F04 /F05	9/11/14	IP67	75%	1,7A 40,2W	1,4A 32,8W	0,4A 41,9W	0,2A 46,0W	35 Nm	38 Nm	9 sec. (+/- 10%)
S55	F05/F07	14/17	IP67	75%	2,0A 47,5W	1,6A 39,0W	0,4A 47,0W	0,2A 46,0W	55 Nm	60 Nm	13 sec. (+/- 10%)
S85	F05/F07	14/17	IP67	75%	1,5A 36,0W	1,2A 29,3W	0,3A 36,5W	0,2A 46W	85 Nm	90 Nm	29 sec. (+/- 10%)
S140	F07/F10	22	IP65	75%	3,3A 79,2W	2,5A 60,7W	0,7A 78,7W	0,4A 105,6W	140 Nm	170 Nm	34 sec. (+/- 10%)
S300	F07/F10	22	IP65	75%	3,3A 79,2W	2,7A 64,7W	0,8A 84,7W	0,5A 113,5W	300 Nm	350 Nm	58 sec. (+/- 10%)

article number:

type	voltage	seal	size
EK06	00 – 24V AC/DC 01 – 110-240V AC/DC	00 – PTFE	03 – DN15 04 – DN20 05 – DN25 06 – DN32 07 – DN40 08 – DN50 09 – DN65 10 – DN80 11 – DN100

Example no. EK06010005:

EK06 | **01** | **00** | **05**

Flange ball valve made of carbon steel with electrical actuator

Voltage: 110-240V AC/DC

Seal: PTFE

Size: DN25

Image similar, subject change without notice.