

Ball diverter valve made of stainless steel TYPE GK16



Description:

Ball diverter valve with threaded connection made of stainless steel for the installation of for example two safety valves in combination with bursting discs for the protection of containers designed for the storage of cryogenic gases.

Features:

- DGR 2014/68/EU
- AD2000-Sheet A4
- Two additional connections for bursting discs

Connection:

Inlet 3/4", 1", 1 1/4"
Outlet 1/2", 3/4", 1"

Construction:

Full port design

Pressure:

0 – 63 bar

Design:

Ball diverter valve

Body:

Stainless steel 1.4408

Ball:

Stainless steel 1.4404

Seal:

PTFE

connection:

Female thread BSP-P DIN EN ISO 228-1

Handle:

Stainless steel

Temperature:

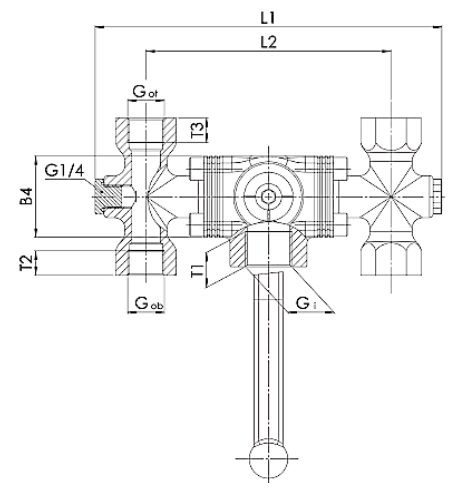
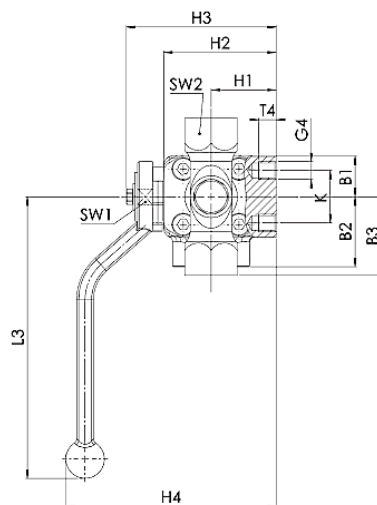
General -200°C up to +120°C

Media:

For the storage of cryogenic liquefied gases, such as LOX, LAr, CO₂, LNG, LIN

Dimensions:

DN	15	20	25
Gi (inlet)	3/4"	1"	1 1/4"
Got/Gob (outlet)	1/2"	3/4"	1"
T1	20	20	21
T2/T3	14	16	18
H1	37	41	46
H2	64	72	82
H3	86	94	105
H4	120	128	142
B1	23	23	33
B2	40	50	50
B3	45	52	55
B4	47	62	66
L1	198	231	265
L2	140	165	195
L3	161	161	184
SW1	9	9	14
SW2	30	36	41
K	30	30	30
G4	M10	M10	M10
T4	10	10	10
G	1/4"	1/4"	1/4"
kg	2,3	3,8	5,0



Installation:

To ensure the proper function of the ball diverter valves, they must be installed in such a manner that prevents impermissible static, dynamic or thermal loads from acting.

Article number:

Type	Version	Seal	Size
GK16	00 – T-Bore	00 – PTFE	04 – 1/2" (Inlet 3/4")
	01 – L-Bore		05 – 3/4" (Inlet 1")
			06 – 1" (Inlet 1 1/4")

Example No. GK16000005:

GK16	00	00	05
-------------	-----------	-----------	-----------

Ball diverter valve made of stainless steel

Ausführung: T-Bore

Seal: PTFE

Size: Outlet 3/4" inch connection for safety-valves, inlet 1" inch

Image similar, subject change without notice.